

**MVK I/O COMPACT MODULE, METAL**

CANopen, 16 dig. In / Diag

Digital inputs

DI8 DI8

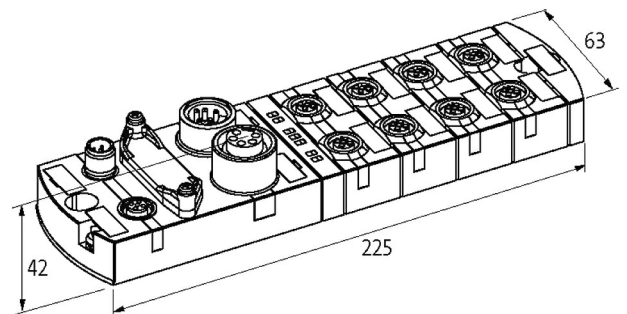
CAN 1 Mbit/s; M12, A-coded

7/8", 5-pole, 2x max. 9 A

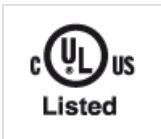
M12, 5-pole, A-coded

Connection cables are in the online shop under "Connection Technology".

Housing fully potted.

**Illustration**

Product may differ from Image

**Approvals****More Info****Input**

Sensor supply US	24 V DC (EN 61131-2), max. 200 mA (M12 female), short-circuit and overload protected
Type	for 3-wire sensors or mechanical switches, PNP

**Connections**

Fieldbus	CAN 1 Mbit/s; M12, A-coded
Sensor-system/actuator supply	7/8", 5-pole, 2x max. 9 A
I/O ports	M12, 5-pole, A-coded

<b>General data</b>	
Protection	IP67
Mounting method	2-hole screw mounting
Dimensions H×W×D	42×63×225 mm
Temperature range	0...+55 °C (storage temperature -20...+70 °C)
<b>Module supply</b>	
Operating voltage	24 V DC (EN 61131-2)
<b>CANopen</b>	
Addressing	Rotary switch 1...99
<b>Parameterization</b>	
PIN 4	Input
PIN 2	Input/Diagnostic
<b>Diagnostic</b>	
Communication status	via LED
Diagnostic via LED	per module and channel
Diagnostic via BUS	per module and channel
Monitoring - under voltage	yes
Monitoring - no voltage	yes
Short-circuit and overload	yes
Actuator warning	per channel via LED and BUS
Cable break	per port
<b>Commercial data</b>	
country of origin	DE
customs tariff number	85176200
EAN	4048879051514
eClass	27242604
Packaging unit	1